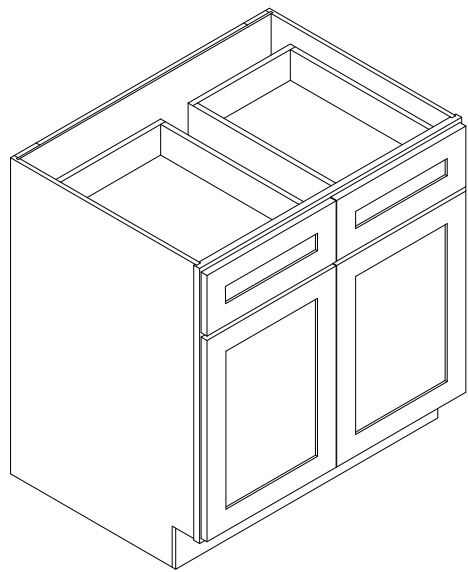




# ASSEMBLY INSTRUCTIONS

## B36-2RO

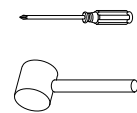


### Parts list

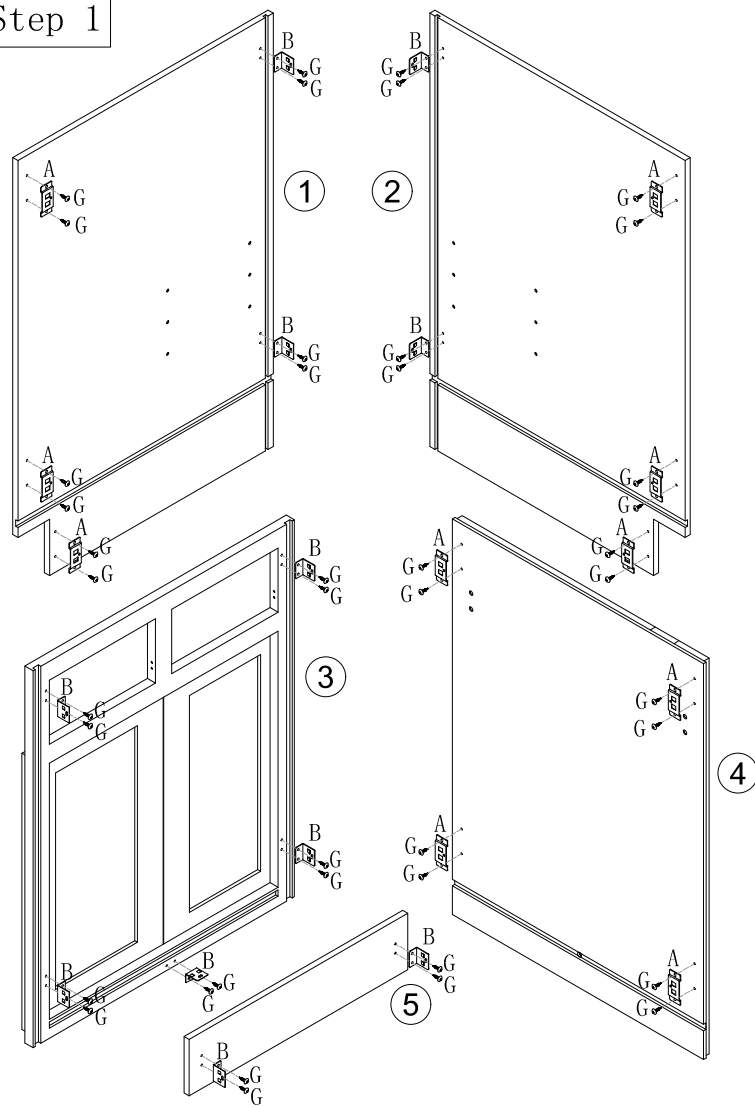
NO.	Parts	QTY
A		11
B		11
C		4
D		16
E		4

NO.	Parts	QTY
F		2
G		55
H		1

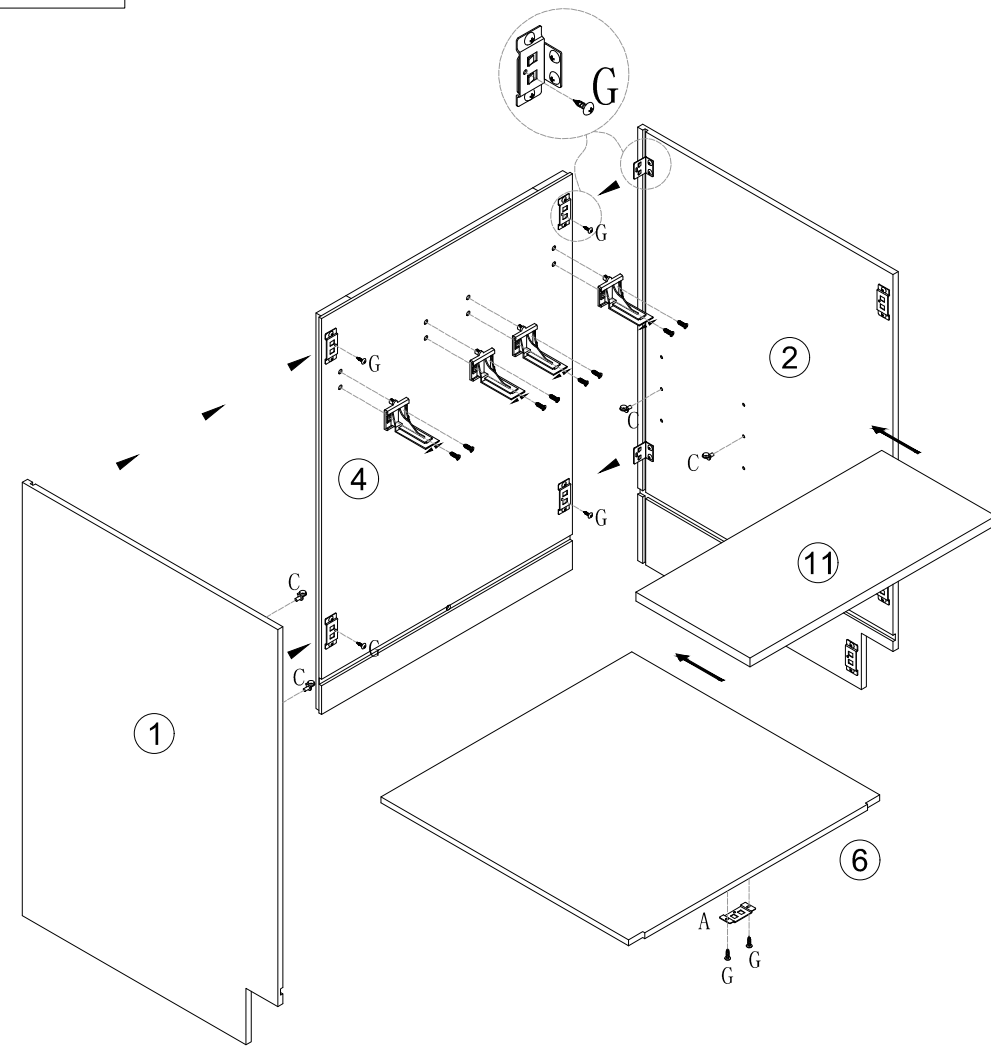
Tools  
(required but not provided)



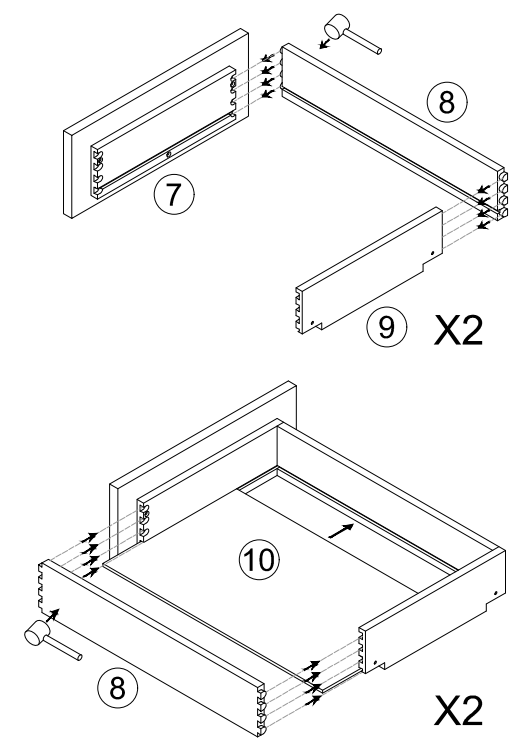
### Step 1



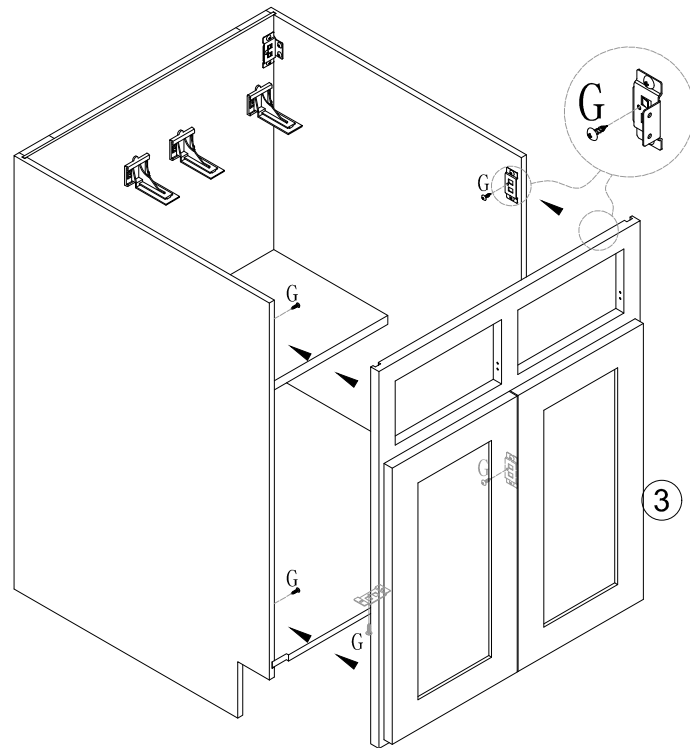
### Step 2



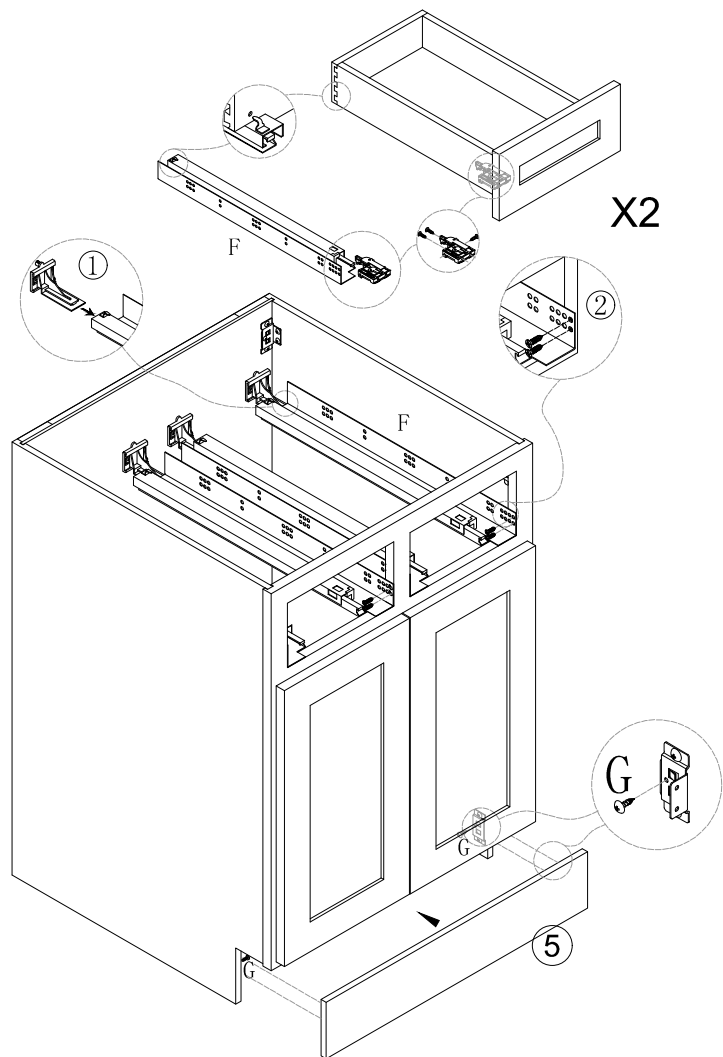
### Step 3



### Step 4



### Step 5



### Finished

